

illustration by Emily Bishton,
www.jnatureexplorers.blogspot.com

Basic Songbird Nest Box

From the Washington State Fish & Wildlife
 website: www.wdfw.wa.gov/living/projects

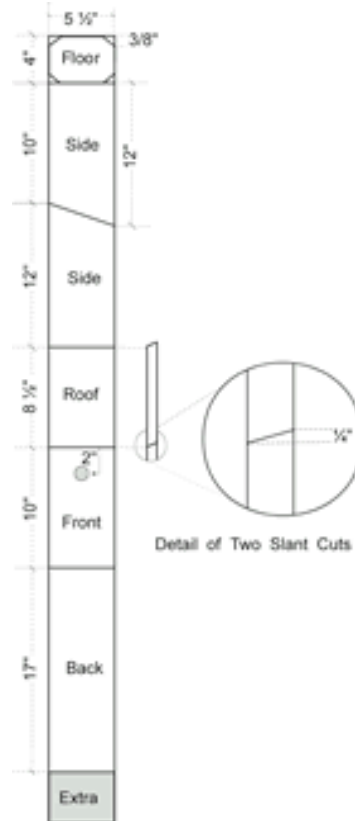
Materials Needed:

- One 1x6" x 6' rough cedar board
- Eighteen 1-1/4" outdoor wood screws or # 7 galvanized nails
- Wire to keep side door shut

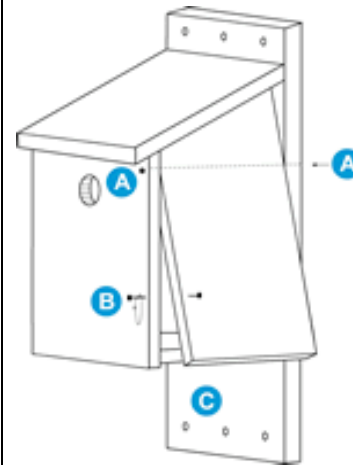
Exact Entry Hole Dimensions:

- Chickadees 1 inch to 1 1/8"
- House wrens 1 1/8"
- Violet-green swallows 1 1/4"
- Tree swallows 1 1/4"
- Nuthatches 1 1/4"
- Bluebirds 1 1/2"

Cutting the 1x6 Cedar Board:



Easy Clean-out Feature:



- Pivot screws work as hinges. To allow the side to open easily, the two pivot screws need to be level
- Loop wire around nails
- Holes for attaching box to a tree or post with nails, lag bolts, or wire

See Nest Box Placement flyer for directions on mounting

Assembly Sequence:

